

RNG – 270P

270W Polycrystalline Solar Panel



Key Features

- Top Ranked PTC Rating
- High Module Conversion Efficiency
- Fast and Inexpensive Mounting
- Maximizes System output by reducing mismatch loss
- 100% EL testing on all Renogy Modules, Guaranteed no Hot Spots

Electrical Characteristics

Maximum Power at STC (Pmax)	270 W
Optimum Operating Voltage (Vmp)	30.80V
Optimum Operating Current (Imp)	8.77 A
Open Circuit Voltage (Voc)	37.90 V
Short Circuit Current (Isc)	9.26 A
Maximum System Voltage	600 VDC
Maximum Series Fuse Rating	15 A

STC: Irradiance 1000W/m², Temperature 25°C, AM =1

Mechanical Properties

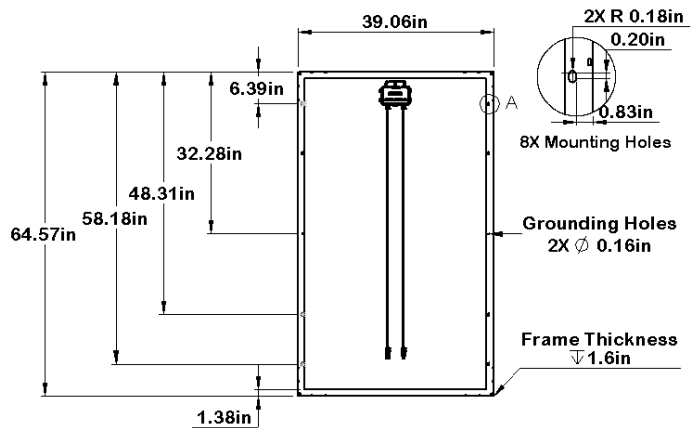
Solar Cell	Polycrystalline (156 x 156 mm)
# of Cells	60 (6 X 10)
Dimensions	1640 x 992 x 40 mm (65.0 x 39.0 x 1.6 in)
Weight	18 kgs. (40 lbs.)
Front Glass	3.2 mm (0.13 inches) Tempered Glass
Frame	Anodized Aluminum Alloy
Junction Box	IP67 Rated
Output Cables	12 AWG (34.25in 869.95mm)
Connectors	MC4 Connectors
Fire Rating	Class C

Temperature Characteristics

Operating Module Temperature	-40°C to +90°C
Nominal Operating Cell Temperature (NOCT)	47±2°C
Temperature Coefficient of Pmax	-0.44%/°C
Temperature Coefficient of Voc	-0.30%/°C
Temperature Coefficient of Isc	0.04%/°C



Module Diagram



IV-Curve

