

Solstice[®] Shingle

70W



A high-efficiency solar shingle designed for integration with all asphalt shingle roofs.

FEATURES AND BENEFITS

Beautiful

- Sleek and uniform appearance that integrates seamlessly with asphalt shingles

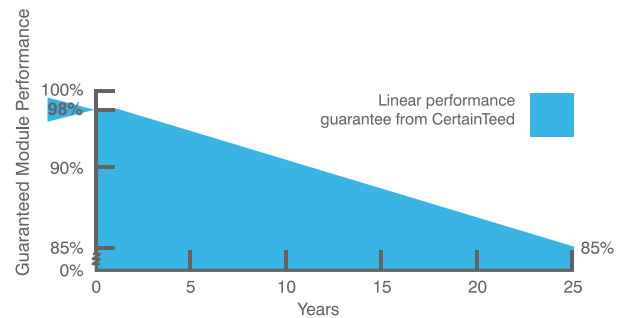
Simplified

- Easy design and permitting using industry leading software
- Designed for fast installation by shingle roofing crews. Installed directly on roof sheathing using standard deck screws.

Dependable

- Industry-leading reliability thanks to use of patented state-of-the-art technology that makes the Solstice Shingles one of the most electrically and mechanically robust solar shingles on the market
- Market-leading impact and wind resistance for solar shingles
- Watertight: Water channels and raised fastener locations provide added protection against water intrusion. With over a century of roofing experience, we know how to keep water out of your home.
- Superior performance even under diffused light and shade boosting overall energy production

POWER OUTPUT WARRANTY

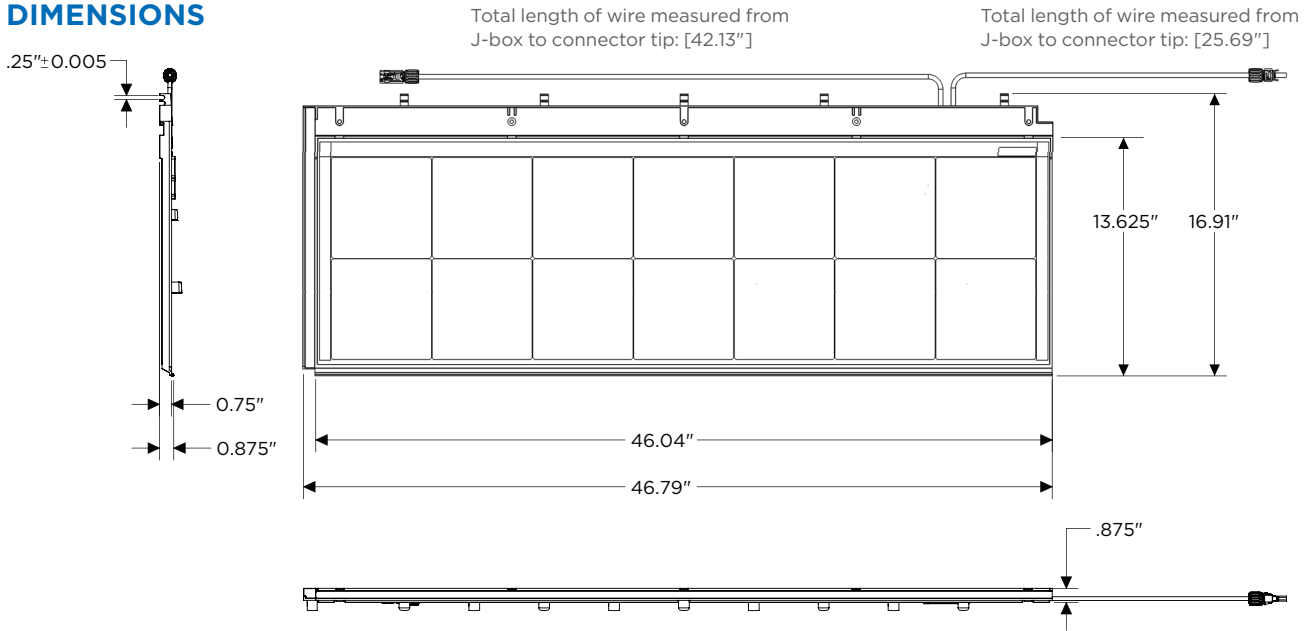


WARRANTY AND CERTIFICATIONS

Warranty*	25 year limited power warranty 25 year limited workmanship warranty 10 year 110 mph limited wind warranty
Certifications	UL 61730 BIPV UL 7103 Fire Certification UL 790 Class A & C Wind Classification ASTM D3161 Class F 110 mph Impact Resistance FM4473 Class 3 NEC 690.12 Compliant UL 3741 California CEC Listed (pending) FBC HVHZ Approved (Vasd of 150 mph and Vult of 194 mph) (pending)

*See CertainTeed's limited warranty for details

DIMENSIONS



ELECTRICAL CHARACTERISTICS

Standard Test Conditions: 25° C, 1000 W/m², AM 1.5

Maximum Power (Pmax)	70 W
Voltage at Maximum Power	7.8 V
Current at Maximum Power	9.0 A
Open Circuit Voltage (Voc)	9.5 V
Short Circuit Current (Isc)	9.4 A
Maximum System Voltage	600 V
Series Fuse Rating	15 A
Temp. Coefficient of Pmax	-0.34 %/°C
Temp. Coefficient of Voc	-0.26 %/°C
Temp. Coefficient of Isc	+0.04%/° C
Normal Operating Cell Temp. (NOCT)	53.6° C
Active cell efficiency	19.85%
PTC	62.6 W

Power Performance Tolerance +/- 5%
All other electrical characteristics within +/- 10%

MECHANICAL CHARACTERISTICS

Tested and Passed Temperature Range	-40 to +85° C
Exposed Area	46" x 13-5/8"
Weight	12.7 lb (2.3 lb per sq ft)
Cell	Monocrystalline PERC
No. of cells and connections	14 in series
Bypass Diode	2 per shingle
Design Load	+2400/-1600 Pa
Wiring	12 AWG PV wire
Connectors	Renhe RHC2
Minimum Roof Pitch	2/12"