



# DNA™ 108-Monofacial

Solar for Innovators

400W | 395W | 390W

## DNA-108-MF10-400W

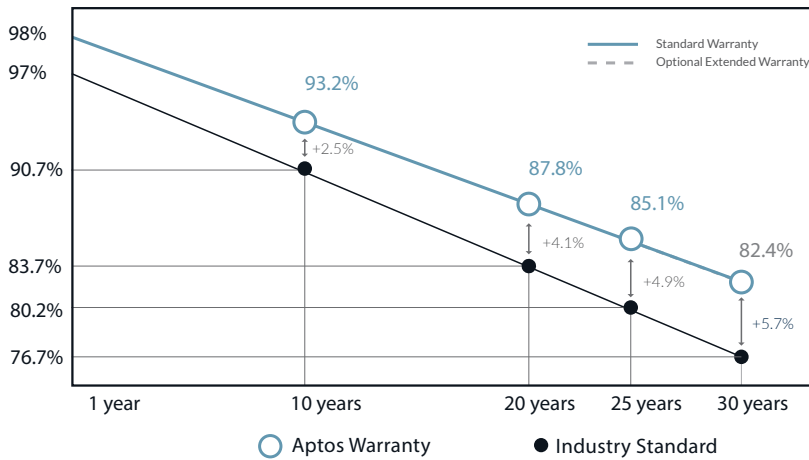
Residential | Commercial

Our DNA Split Cell Series uses advanced selective emitter PERC technology with thin film layers to improve heat tolerance, maximize energy harvest, minimize resistive loss, and use 5% more of the available active area for optimal power performance.



Designed & Engineered In Silicon Valley

### Linear Performance Warranty



## Key Features



### Advanced Technology

Patented DNA™ technology boosts power performance & module efficiency.



### Aesthetics

All black design with advanced split cell technology features 10 ultra-thin busbars that allow for less resistance and greater energy harvest.



### Miami-Dade Approved

Miami-Dade County wind load certified to withstand up to 5400 Pa.



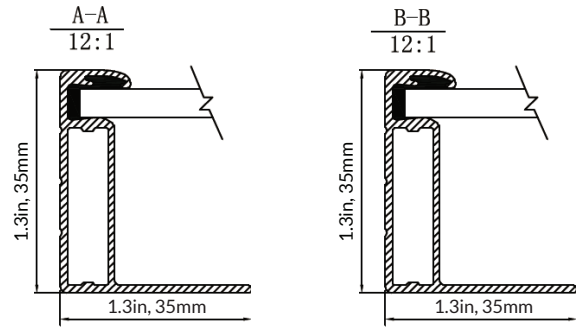
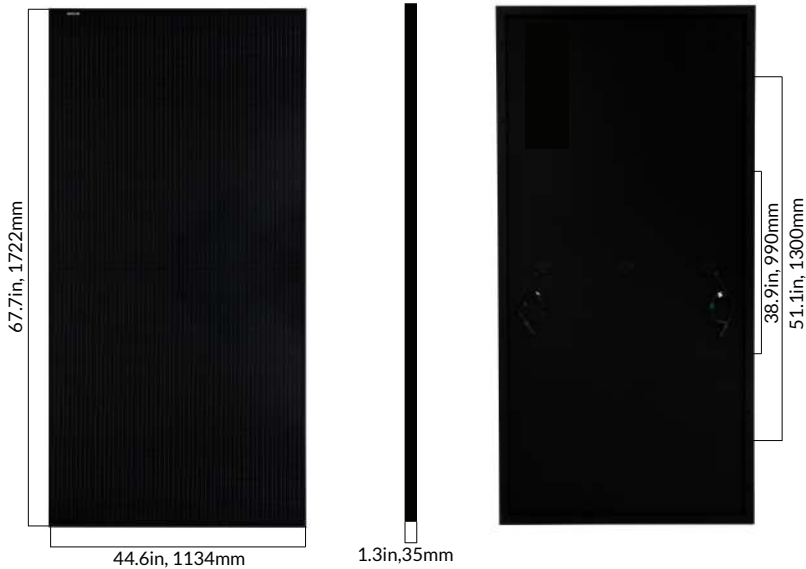
### Awards

Winners of the Leadership in Solar Energy award for three consecutive years and listed as one of the Top Solar Products from 2021-2022.



### Bankable Investment

Comprehensive warranty that covers both **30-year product** and **30-year power** performance.



## Electrical Specifications

	DNA-108-MF10-390W	DNA-108-MF10-395W	DNA-108-MF10-400W
STC Rated Output $P_{mpp}$ (W)	390W	395W	400W
Module Efficiency	19.97%	20.20%	20.47%
Open Circuit Voltage $V_{oc}$ (V)	36.85	36.98	37.04
Short Circuit Current $I_{sc}$ (A)	13.61	13.7	13.79
Rated Voltage $V_{mmp}$ (V)	30.64	30.84	31.01
Rated Current $I_{max}$ (A)	12.73	12.81	12.9

Standard Test Conditions for front-face of panel: 1000 W/m<sup>2</sup>, 25°C, measurement uncertainty  $\leq 3\%$

## Mechanical Properties

Cell Type	Monocrystalline
Glass	3.2mm, anti-reflection coating, high transmission, low iron, tempered glass
Frame	Anodized Aluminum Alloy
Junction Box	IP68
Dimensions	67.7 X 44.6 X 1.3 in, 1722 X 1134 X 35 mm
Weight	48.5lbs. (21.5kg)
Output Cable	4mm <sup>2</sup> (EU)12AWG, 39.37in.(1200mm)
Cable Length	47.2 in
Encapsulant	POE
Connector Type	Staubli EVO2

## Temperature

Temperature Coefficients $P_{mmp}$	-0.35%/°C
Temperature Coefficients $I_{sc}$	+0.054%/°C
Temperature Coefficients $V_{oc}$	-0.27%/°C
Nominal Operating Cell Temperature (NOCT)	45°C

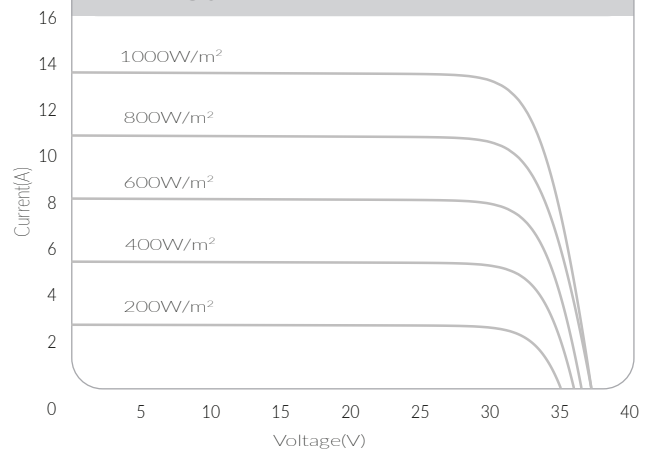
## Test Operating Conditions

Maximum Series Fuse	25A
Maximum System Voltage	1,500 VDC (UL&IEC)
Maximum Load Capacity (Per UL 1703)	5400 PA Snow Load / 5400 Pa Wind Load
Fire Performance Class	Class C/Type 1

## Packaging Configuration

Number of Modules per Pallet	31
Number of Pallets per 40ft. Container	26
Pallet Dimensions	68.97 X 44.48 X 49.76 in, 1752 X 1130 X 1264 mm
Pallet Weight (lbs)	1503.5
Modules per 40ft. Container	806

## I-V Curve



## Certifications

