

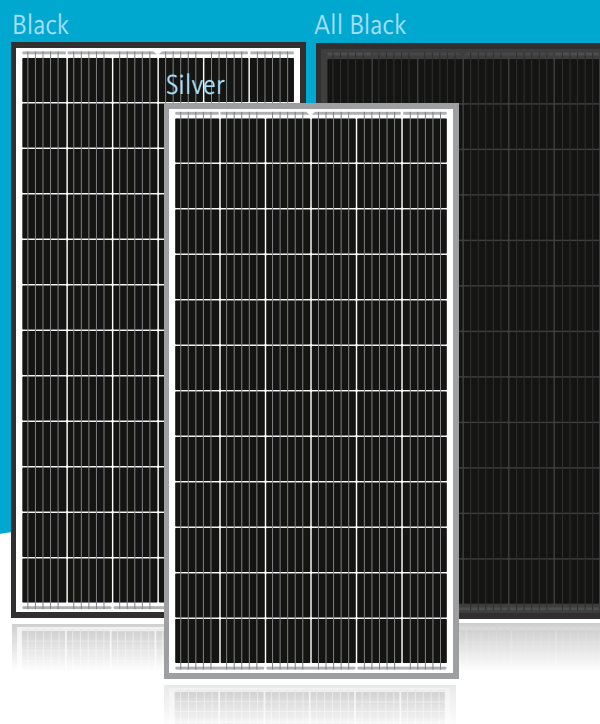
SN20-72_{MAE·MBE·MCE} 385~395W

STANDARD Series

1,000V Monocrystalline PV Module

CERTIFICATIONS

IEC 61215, 61730 / UL 61730
 ISO 9001 : Quality Management System
 ISO 14001 : Environmental Management System
 ISO 45001 : Occupational Health & Safety System



FEATURES



Enhanced External Load/Impact

Snow Load : 5,400 Pa
 Wind Load : 2,400 Pa



PID Resistance

Enhanced Potential Induced Degradation Resistance



Fire Safety

Spread of Flame Class A
 Burning Brand Class C



Higher output power

0~+5Wp,
 Higher than rated power



Excellent performance under low light conditions

Cloudy days, mornings and evenings



Various Options Available

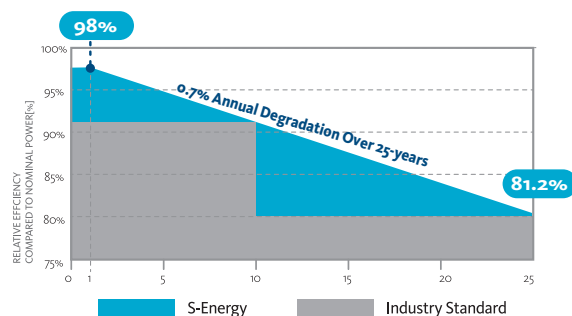
Black or Silver Frame



WARRANTY

12 -YEARS PRODUCT WARRANTY

25 -YEARS LINEAR PERFORMANCE WARRANTY



S-Energy Co., Ltd.

S-Energy America
 (SEAI America, Inc.)

S-Energy Chile
 (S-Energy Chile SpA)

S-Energy Japan_Osaka Headquarters
 (S-Energy Japan Co., Ltd.)

S-Energy Japan_Tokyo Branch
 (S-Energy Japan Co., Ltd.)

A 20 PanGyoYeok-Ro 241BeonGil, BunDang-Gu, SeongNam-Si, GyeongGi-Do, Korea (3F MiraeAsset Tower)
 T +82-70-4339-7100 F +82-70-4339-7199 E inquiry@s-energy.com

A 18022 Cowan, Suite 260, Irvine, CA 92614, U.S.A.
 T +1-949-281-7897 F +1-949-281-7893 E sales.us@s-energy.com

A Av. Cerro El Plomo N°5420, Office 402, Las Condes, Santiago, Chile
 T +56-22-604-8111 E sales.cl@s-energy.com

A 8F, MJ Abeno Bldg., 1-5-1, Maruyama-dori, Abeono-ku, Osaka-shi, Osaka, Japan
 T +81-6-4703-5388 F +81-6-4703-5387 E sales_jp@s-energy.com

A Fukuroku Building 2F, 2-7 Kanda-Tsukasamachi, Chiyoda-ku, Tokyo, Japan
 T +81-3-6261-3759 F +81-3-6261-3769 E sales_jp@s-energy.com

Homepage



ELECTRICAL CHARACTERISTICS

STC (Irradiance 1,000W/m ² , module temperature 25°C, AM=1.5)	SN20-72MAE/MBE/MCE-385V	SN20-72MAE/MBE/MCE-390V	SN20-72MAE/MBE/MCE-395V
Rated Power (Pmax)	385W	390W	395W
Voltage at Pmax (Vmp)	40.2V	40.4V	40.6V
Current at Pmax (Imp)	9.58A	9.66A	9.74A
Warranted Minimum Pmax	385W	390W	395W
Short-Circuit Current (Isc)	10.09A	10.18A	10.27A
Open-Circuit Voltage (Voc)	48.7V	48.9V	49.1V
Module Efficiency	19.39%	19.64%	19.89%
Operating Module Temperature	-40°C to +85°C		
Maximum System Voltage	1,000V		
Fuse Rating	20A		
Maximum Reverse Current	27A		
Power Tolerance	0 ~ +5W		

MECHANICAL CHARACTERISTICS

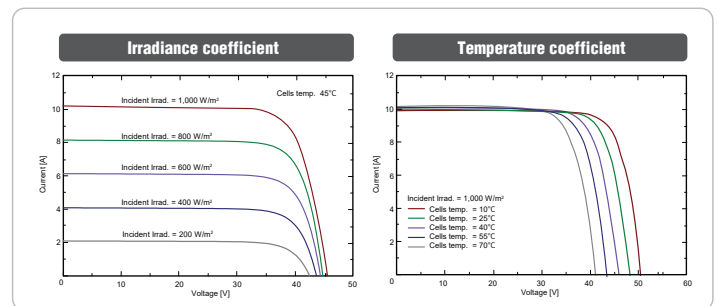
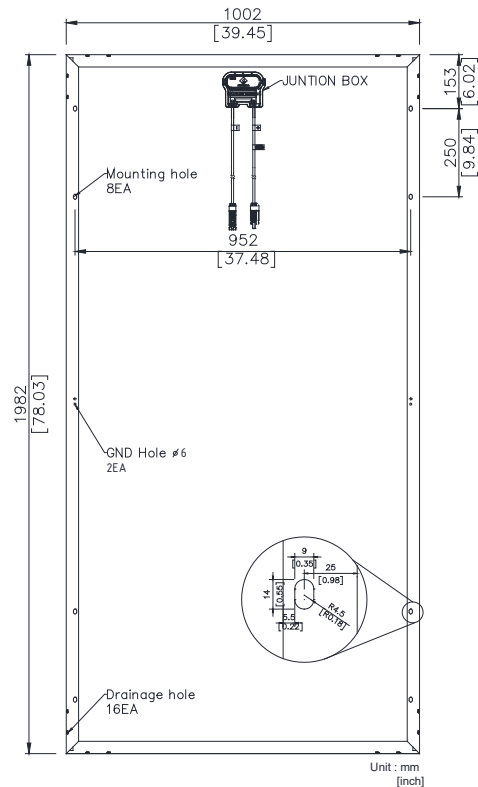
Solar Cells	Monocrystalline Cells 158.75x158.75mm
Number of Cells	72 Cells (6x12 Matrix)
Dimensions	1,982 x 1,002 x 40mm
Front Load	5,400Pa
Rear Load	2,400Pa
Weight	22.4kg
Glass	3.2mm High-Transmittance Low Iron Tempered Glass
Frame	Anodized Aluminum Frame (Silver / Black)
J-Box	≥ IP67 with 3 bypass diodes
Output Cables	PV Wire (PV1-F), 12AWG (4mm ²), Cable Length : 1,200mm
Connectors	MC4 Original, Compatible

TEMPERATURE CHARACTERISTICS

Temperature coefficient of Isc	0.05% / °C
Temperature coefficient of Voc	-0.29% / °C
Temperature coefficient of power	-0.39% / °C
NOCT (Tair 20°C ; Irradiance 800W/m ² ; Wind 1m/s)	45±2°C

PACKING CONFIGURATION

Container	20'	40'
Modules Per Pallet	27pcs	27pcs
Pallets Per Container	10pallets	22pallets
Modules Per Container	270pcs	594pcs



REMARKS

- Pmax measurement tolerance : ±2.5%
- S-Energy uses triple A class simulator.
- Specification subject to change without prior notice.
- S-Energy reserves the rights of final interpretation.

NOTES

- Installation instruction supplied with the module must be duly followed.
- For further information which is not mentioned on installation guides or directions, please contact to our technical service department.
- E-mail : Inquiry@s-energy.com