

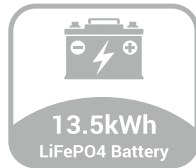
# LION SANCTUARY™

Lithium Energy Storage System™

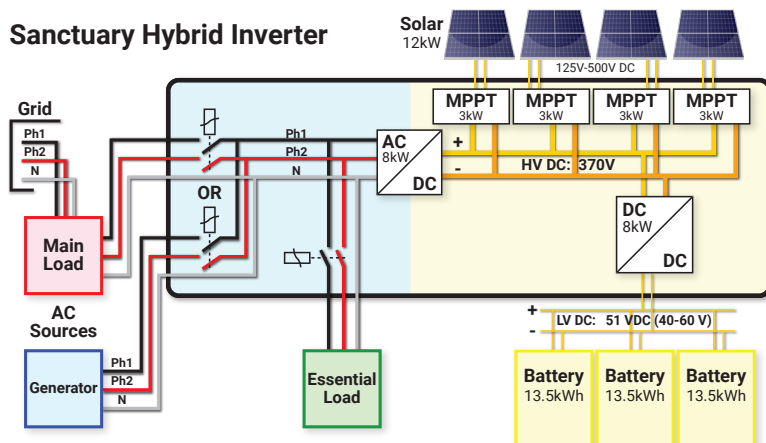
Be protected

**24/7**

Have peace of mind.



## Sanctuary Hybrid Inverter



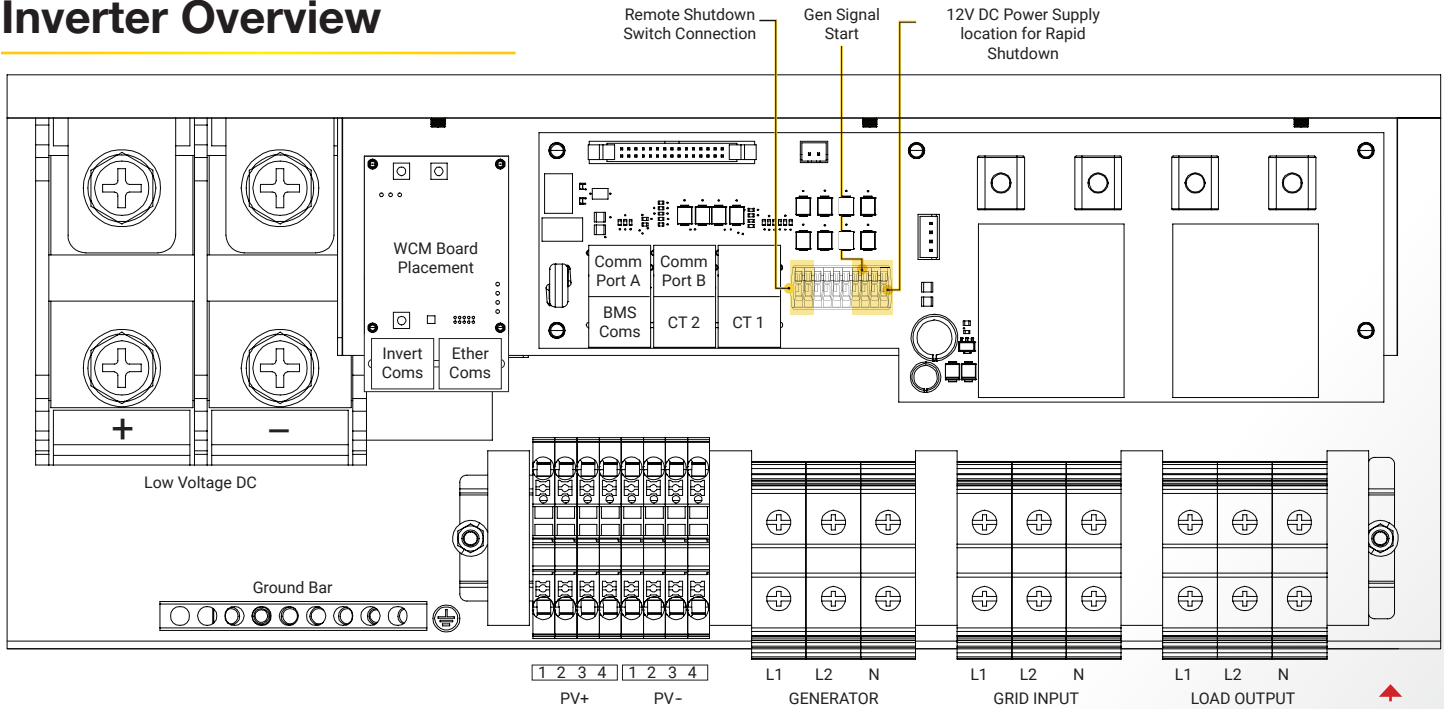
## Lion Sanctuary

The new Lion Energy Sanctuary 12K System combines our efficient hybrid inverter/charger with our powerful Lithium Iron Phosphate 13.5kWh battery. The combination provides for true energy independence whether you are On-Grid (metered or non-metered) or Off-Grid.



# Lion Sanctuary Lithium Energy Storage System™

## Inverter Overview



### Model #50170168 Sanctuary 12K Inverter

#### PV Input

Max PV Input	12kW
MPPT Input Voltage	120-500V
Max Input Current	12A*4
Max Short Circuit Current	15A

#### AC Output (On Grid)

Rated Output Power	8kVA
Rated Output Current	33.3A
Grid Voltage	120V/240V Split phase
Grid Frequency (Optional)	60Hz
Power Factor Range	-0.8~+0.8

#### Battery

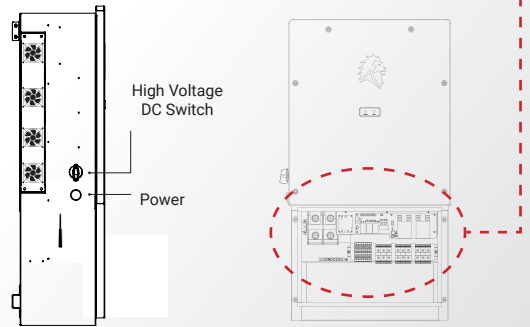
Battery Voltage Range	40V~60V
Max Charging Current	190A
Max Discharging Current	190A

#### System

Ingress Protection	IP65
Dimensions	27.9" H x 16.9" W x 8.7" D
Weight	90lbs
Max Efficiency	97.8%

#### Compliance

ULSTD.1741, UL1741 SA, UL1741 SB, CPUC RULE21, SRD-UL-1741-SA-V1.1, IEEE1547-2003, FCC 15 class-B, UL1699B Arc-Fault Circuit-protection Type 1.



### Model# 50170132 Sanctuary 13.5kWh Battery

Battery Type	Lithium Iron Phosphate
Voltage Range	40 - 55.6VDC
Capacity	13,875.2Wh
Parallel-able Capacity	41,625.6Wh Max
Quantity	3 Max
Charging Temp. Range / Current	32° to 86° F /150A
Discharging Temp. Range	-4° to 86° F /160A
Weight / Dimensions	277 lbs. / 39.75" H x 18.5" W x 10" D
Compliance	UL1973, UL9540, UL9540A

