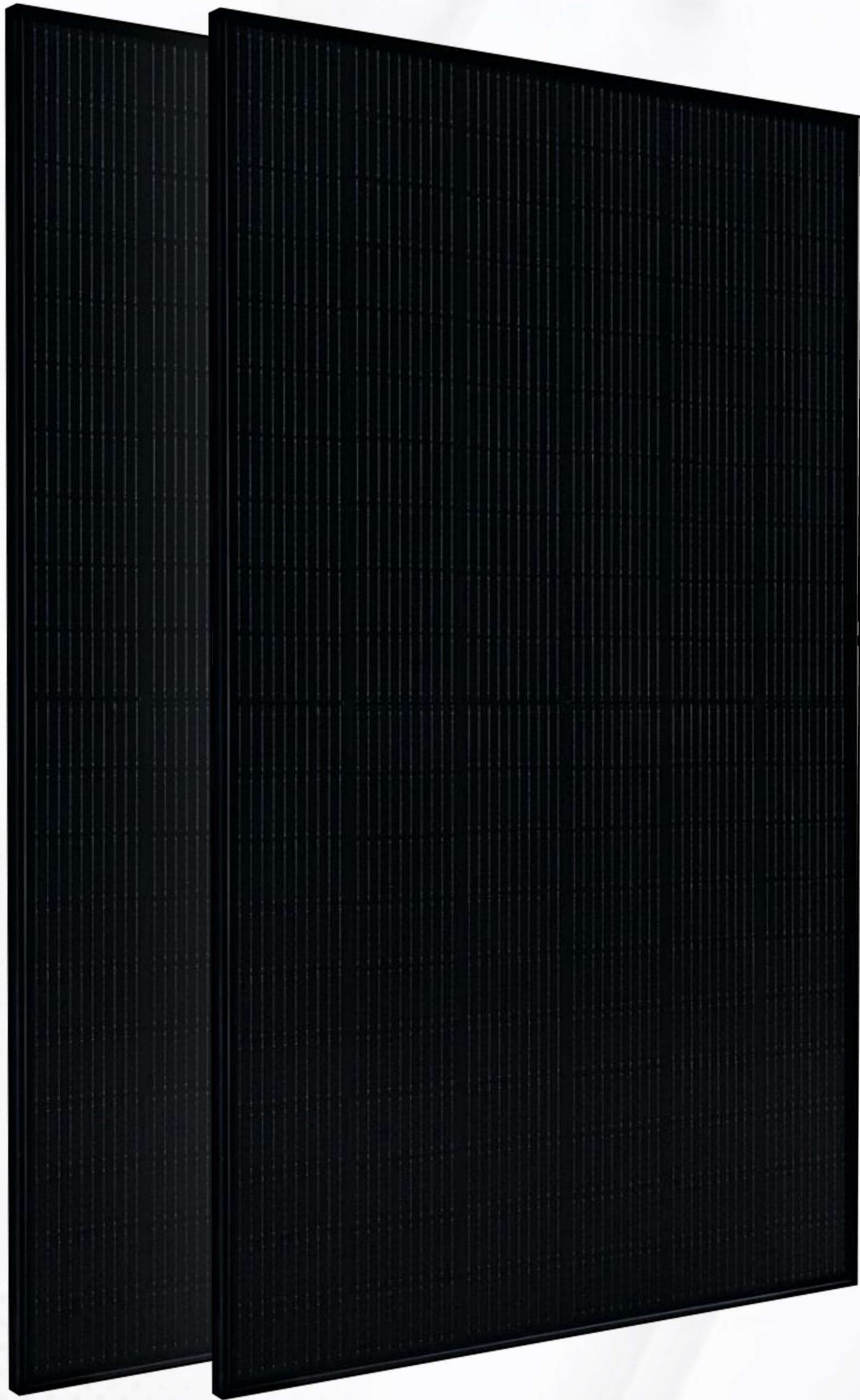


MGS 60M10



440-460W



Superior aesthetics, all-black design



Robust product design for harsh weather conditions



Improved performance in shaded areas



Designed & engineered in the U.S, Made in Dubai

Certifications:



Intertek



Headquarter address

📍 Magnus Green Solar LLC, 360 E 2nd St, STE 820, Los Angeles, CA 90012 USA

☎ +1-888-259-4196

✉ info@magnusgreensolar.com



PRODUCT WARRANTY



PERFORMANCE WARRANTY

Manufactured at:

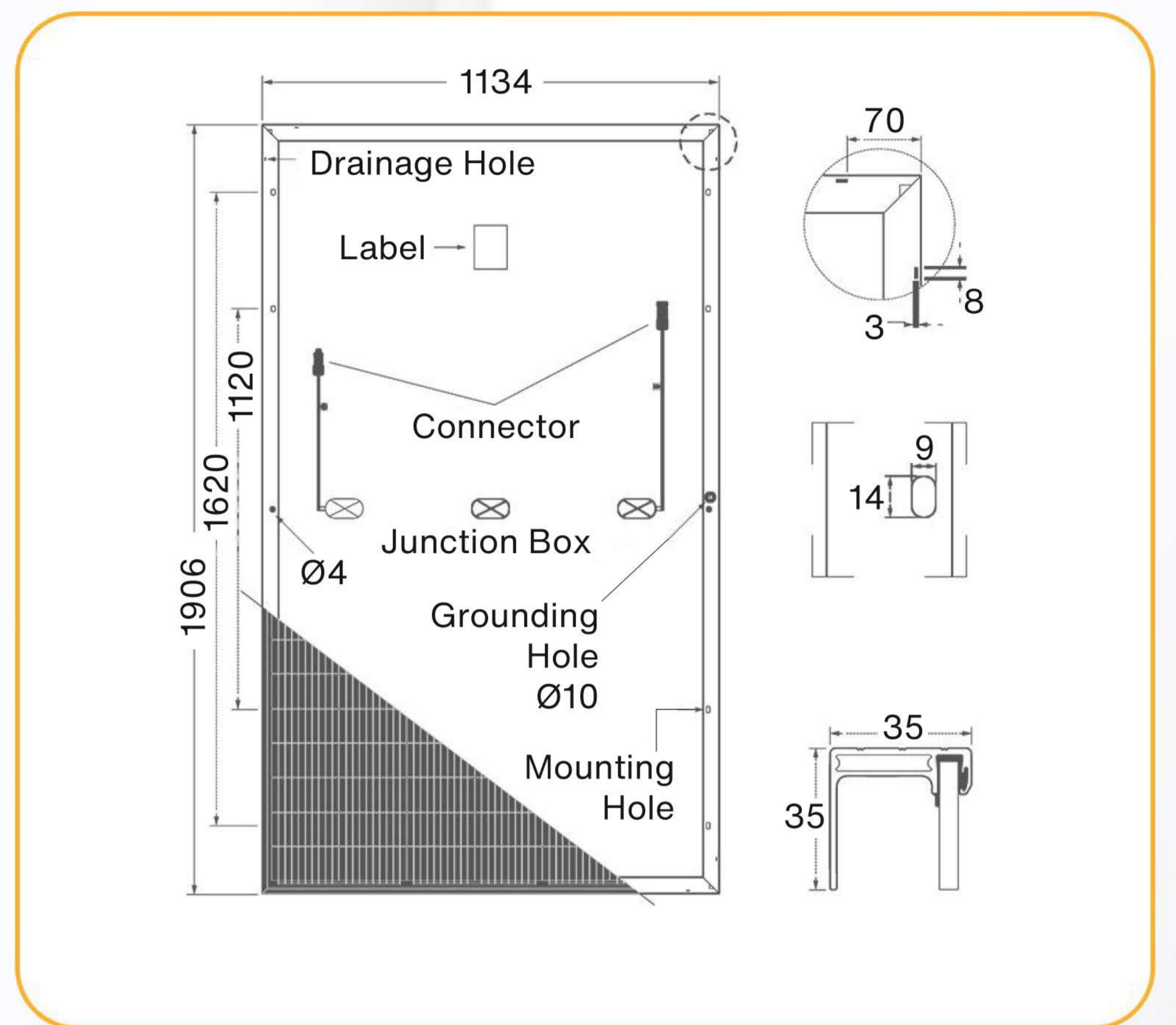
📍 Magnus Green Solar Panels Manufacturing, National Industries Park, Plot TP010505, Jebel Ali(South), Dubai, United Arab Emirates

☎ +971 50 786 3131

✉ info@magnusgreensolar.com

MECHANICAL SPECIFICATIONS

Cell Type	Mono 182x91mm
Weight	24kg
Dimension	1906x1134x35mm (LxWxT)
Cables	4.0mm ² , Portrait: 300mm(+)/400mm(-) Landscape: 1200mm(+)/1200mm(-)
No. of Cells	120 (6x20)
Glass	3.2mm High Transmission, Antireflection Coating
Junction Box	IP68, 3 Bypass Diodes
Packing	31pcs/pallet, 744pcs/40HQ
Connector Type	Staubli Electrical Connectors AG (PV-KST4-EVO2/XY_UR)



Length: ±2mm, Width: ±2mm | Height: ±1mm, Pitch: ±2mm

ELECTRICAL SPECIFICATIONS

Module Type	MGS 60M10-440W		MGS 60M10-445W		MGS 60M10-450W		MGS 60M10-455W		MGS 60M10-460W	
	STC	NOCT	STC	NOCT	STC	NOCT	STC	NOCT	STC	NOCT
Open-Circuit Voltage (Voc/V)	41.02	38.72	41.10	38.79	41.18	38.87	41.33	39.01	41.48	39.15
Maximum Power Voltage (Vmp/V)	33.72	31.39	33.82	31.56	33.91	31.73	34.06	31.91	34.20	32.07
Short-Circuit Current (Isc/A)	13.73	11.09	13.79	11.14	13.85	11.19	13.93	11.25	14.01	11.32
Maximum Power Current (Imp/A)	13.05	10.43	13.16	10.49	13.27	10.55	13.36	10.61	13.45	10.67
Maximum Power (Pmax/W)	440	327	445	331	450	335	455	339	460	342
Module Efficiency (%)	20.36%		20.59%		20.82%		21.05%		21.28%	
Power Tolerance	±3%									
Tolerance of Rating Pmax/Isc/Voc %	±3%/±4%/±3%									

NOCT: Irradiance 800w/m², Cell Temperature 20°C, Spectrum AM1.5, Wind Speed 1m/s STC: Irradiance 1000w/m², Cell Temperature 25°C, Spectrum AM1.5

Binning Tolerance: 0 to +5W

MAXIMUM RATINGS

Maximum System Voltage	1500V DC
Operating Temperature	-40°C to +85°C
Maximum Series Fuse	25A
Safety Class	II
Fire Rating	Class C

TEMPERATURE CHARACTERISTICS

NOCT Temperature	45°C±2°C
Temperature Coefficient (Pmax)	-0.37%/°C
Temperature Coefficient (Voc)	-0.29%/°C
Temperature Coefficient (Isc)	0.05%/°C

PERFORMANCE WARRANTY

Max Power Degradation	0.5%/Year
97.5% At The End of 1 st Year	
93% At The End of 10 th Year	
85.5% At The End of 25 th Year	

CURVE & TEMPERATURE DEPENDENCE

