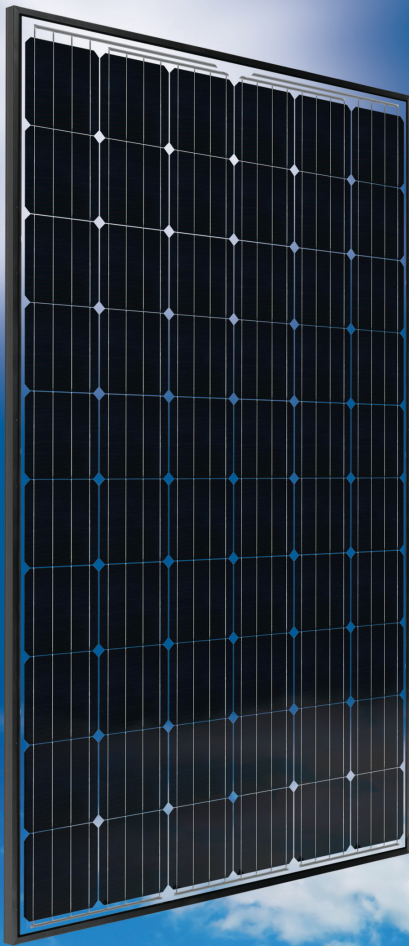




SLA X Series

60 CELLS | 285 | 290 | 295 | 300



Born from 30+ years of innovation excellence in PV technologies, Silfab's NEW competitively priced, ultra-high-efficiency, low-degradation module is set to revolutionize the solar market.

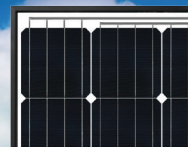
Built in North America utilising Silfab's industry-leading automated manufacturing process, the Silfab SLA X series combines advanced N-type wafer double-sided cell technology with innovative materials that produce up to 20.4% efficiency. The X series technology was developed in partnership with the German institute of research ISC Konstanz, MegaCell S.r.l. and Silfab Solar Inc.

The Silfab SLA X series 60-cell monocrystalline module is a direct result of the skills, experience and dedication of our technical team. Specialized in the entire photovoltaic value chain, Silfab's experts have designed and developed modules that continue to produce consistent power 35 years after installation.

The SLA X series modules are ideal for ground-mount, roof-top installations and architectural designs where space constraints benefit from the exceptional power to size ratio and modern design appearance.



SLA X Clear



SLA X White



Maximum Efficiency | 60 cells, ultra-high-efficiency, monocrystalline N-type wafer cells with a power rating of up to 300 Wp



N-Type | Double-sided six-inch N-type wafer monocrystalline silicon cell



PID Resistant | Anti PID (Potential Induced Degradation) technology



LID near Zero | Virtually no LID (Light Induced Degradation) resulting in more power in year one vs. conventional technology.



Highest Automation | One of the world's most automated module production facilities.



30-Year Guarantee | Top quality materials and 100% EL testing guarantee a trustworthy 30-year performance warranty.



Industry Experts | Silfab's experts have designed and developed modules that continue to produce consistent power 35 years after installation.



Electrical Performance | Lower power reduction (<0.3%) compared to standard 0.8%/year



30 Years | Longer stability due to module technology and design



Positive Tolerance | (-0/+5W) module sorting achieves the maximum electrical performance of the PV system.



Architectural Design | Esthetically designed for premium installations.



1000 Volts | Designed for high-voltage systems of up to 1000 V.

Specification - Standard Test Conditions			SLA X Clear 285	SLA X Clear 290	SLA X Clear 295	SLA X White 285	SLA X White 290	SLA X White 295	SLA X White 300
Module Power	P _{max}	Wp	285	290	295	285	290	295	300
Maximum Power Voltage	V _{pmax}	V	31.75	32.13	32.5	31.5	31.8	32.1	32.4
Maximum Power Current	I _{pmax}	A	8.98	9.03	9.08	9.05	9.12	9.19	9.26
Open Circuit Voltage	V _{oc}	V	39.5	39.6	39.7	39.4	39.5	39.6	39.7
Short Circuit Current	I _{sc}	A	9.49	9.61	9.73	9.55	9.64	9.78	9.89
Module Efficiency		%	17.40	17.70	18.10	17.40	17.70	18.10	18.40
Maximum System Voltage	V _{DC}	V	1000	1000	1000	1000	1000	1000	1000
Series Fuse Rating		A	15	15	15	15	15	15	15

Measurement conditions: STC 1000 W/M², AM 1.5, Temperature 25 °C, Measurement uncertainty ≤ 3%, Sun Simulator calibration reference modules from Fraunhofer Institute. Electrical characteristics may vary by ±5% and vary by -0/+5W. IMPORTANT: Silfab modules are rated at STC. Under certain mounting and installation conditions, the underside of the module could generate additional power not shown on STC ratings. When sizing and selecting system components the extra power should be considered.

Temperature Ratings	SLA X
Temperature Coefficient I _{sc}	%/C 0.035
Temperature Coefficient V _{oc}	%/C -0.3
Temperature Coefficient P _{max}	%/C -0.42
NOCT (±2 °C)	°C 47

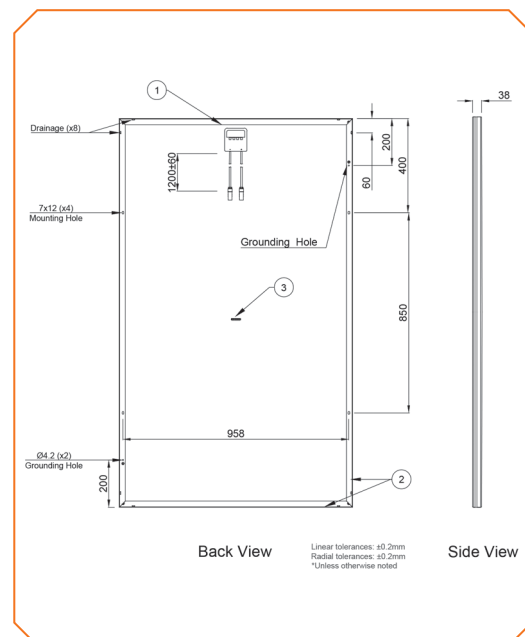
Mechanical Properties and Components	SLA X
Module Weight	kg 19
Dimensions (H x L x D; ± 1mm)	mm 1650 x 990 x 38
Maximum Surface Load (wind / snow)*	N/m ² 5400
Hail Impact Resistance	Ø 25 mm at 83 km/h
Cells	BiSoN N-type wafer, double-sided monocrystalline
Glass	3.2 mm high transmittance, tempered, anti-reflective coating
Encapsulant	PID-resistant POE
Backsheet	Multilayer polyester-based
Frame	Anodized Al
Bypass Diodes	6 diodes-45V/12A
Cables and Connectors*	1200 mm Ø 5.7 mm (4 mm ²), MC4 comparable

* See installation manual

Warranties	SLA X
Module Product Warranty	12 years 30 years
Linear Power Performance Guarantee	≥ 99.3% end of 1 st year ≥ 95% end of 12 th year ≥ 86.2% end of 30 th year

Certifications	SLA X
Product	ULC ORD C1703, UL 1703, IEC 61215, IEC 61730, CEC Listed UL Fire Rating: Type 2 (Type 1 on request)
Factory	ISO 9001:2008

Caution: Read the safety and installation manual before using this product.



Silfab Solar Inc.
240 Courtneypark Drive East • Mississauga, Ontario Canada L5T 2S5
Tel +1 905-255-2501 • Fax +1 905-696-0267
info@silfab.ca • www.silfab.ca